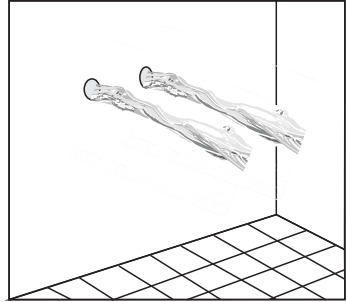


Installation instructions

2321501 2321501C 2321501B

Operating conditions

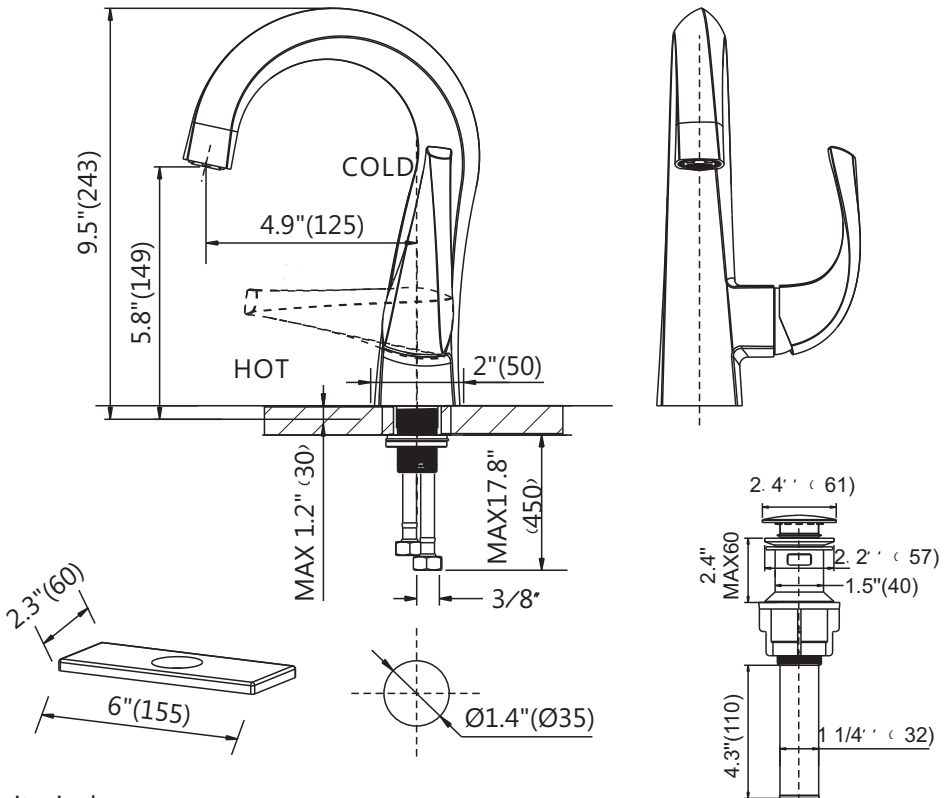
Recommended flow temperature $\leq 65^{\circ}\text{C}$
 Maximum flow temperature momentary $\leq 90^{\circ}\text{C}$
 Minimum flow pressure 1 bar
 Maximum flow pressure 5 bar
 Recommended operating pressure 3 bar
 Test pressure 16 bar



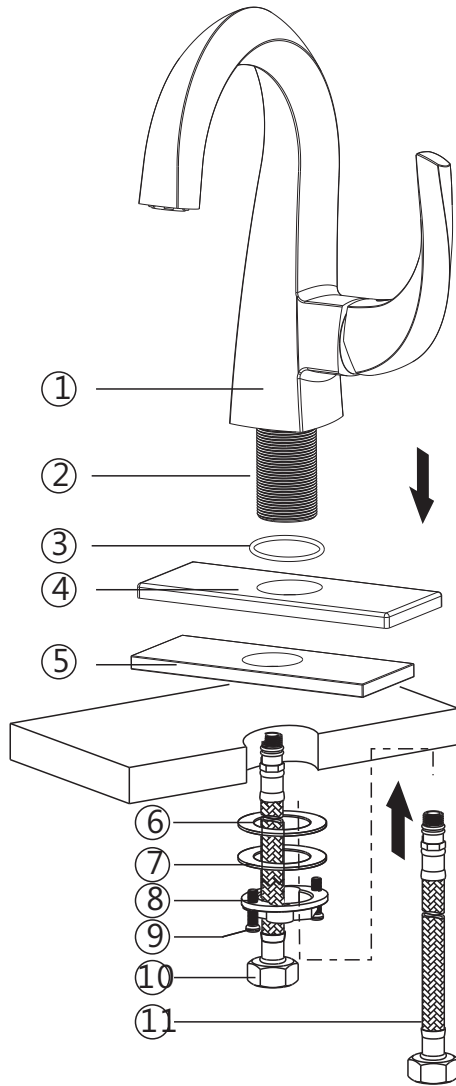
Notes

Before installing the valves, clean the water pipe thoroughly to avoid dirt and deposits

Technical data



unit : inch (mm)



- 1.Screw flexible hoses (10) under the body (1)
- 2.Screw threaded rod (2) under body (1),
3. Attach the O-ring (3) to the base of faucet body
- 4.Insert the plate(4)and washer(5) under the body
- 3.Screw flexible hoses (11) under the body (1)
- 4.Insert washer (6) and SS304 washer (7) through threaded rod
- 5.Screw hexagonal lock nut (8) on to threaded rod (2) and tight
- 6.Screw the nut (8) with screws (9) to fix the faucet body (1)